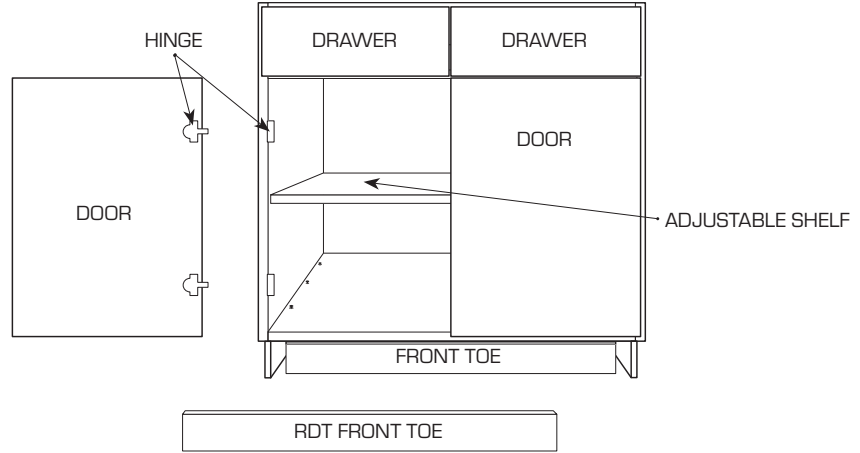


FRAMELESS CABINETRY
**REMOVABLE DECK AND TOE CABINETS
 WITH DRAWERS**
DECK REMOVAL STEPS

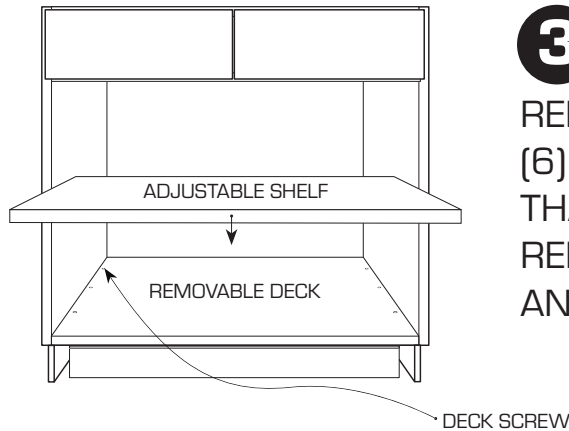
1

REMOVE DOORS,
 HINGES, AND RDT FRONT
 TOE (IF IN PLACE).



2

REMOVE
 ADJUSTABLE
 SHELF.

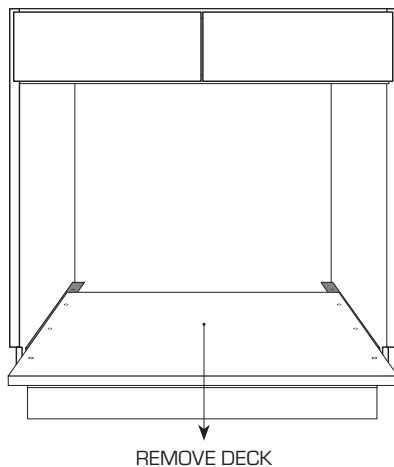


3

REMOVE ALL
 (6) DECK SCREWS
 THAT SECURE THE
 REMOVABLE DECK
 AND FRONT TOE.

4

SLIDE OUT
 DECK AND
 FRONT TOE
 FROM CASE.



5

REMOVE METAL
 SUPPORT
 BRACKETS.

