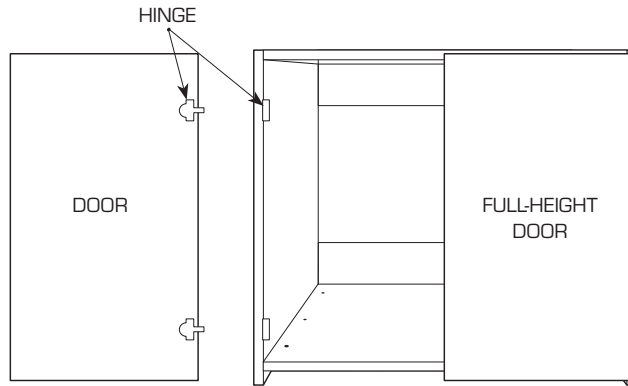


FRAMELESS CABINETRY
REMOVABLE DECK AND TOE CABINETS
DECK REMOVAL STEPS
FLOATING/WALL HUNG VANITY

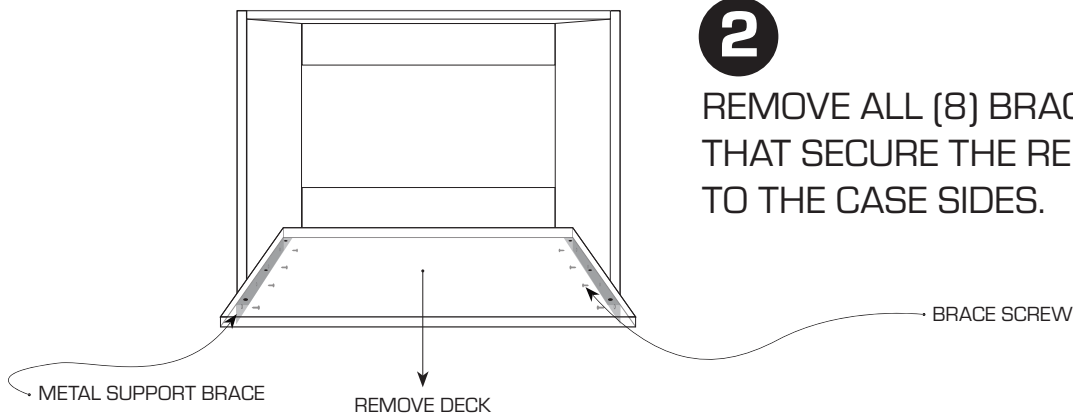
1

REMOVE DOORS
AND HINGES.



2

REMOVE ALL (8) BRACE SCREWS
THAT SECURE THE REMOVABLE DECK
TO THE CASE SIDES.



3

SLIDE OUT DECK
AND DECK BRACE
FROM CASE.

