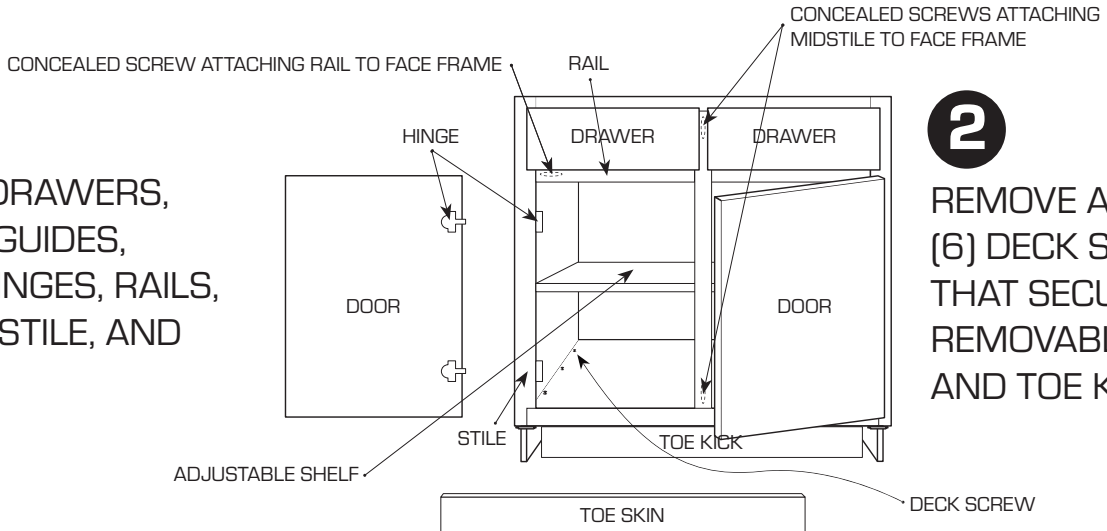


FACE FRAME STANDARD OVERLAY CABINETRY
REMOVABLE DECK AND TOE CABINETS
 WITH DRAWERS
DECK REMOVAL STEPS

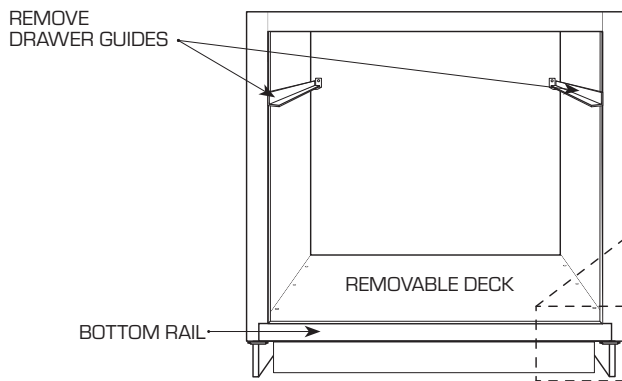
1

REMOVE DRAWERS, DRAWER GUIDES, DOORS, HINGES, RAILS, THEN MIDSTILE, AND TOE KICK



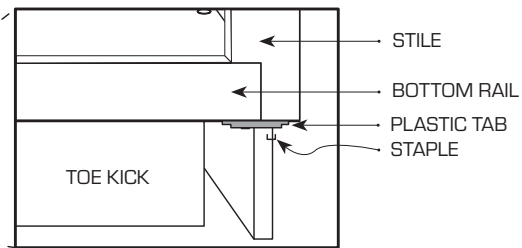
2

REMOVE ALL (6) DECK SCREWS THAT SECURE THE REMOVABLE DECK AND TOE KICK.



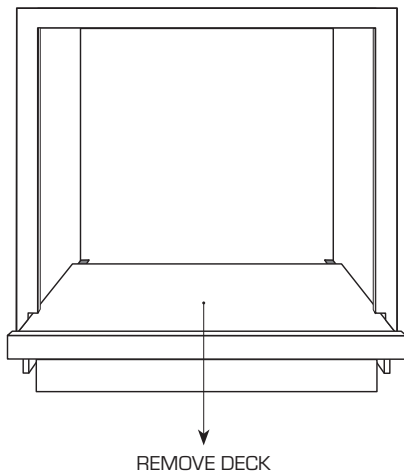
3

REMOVE PLASTIC TABS FROM BOTTOM RAIL AND STILE.



4

SLIDE OUT DECK AND TOE FROM CASE.



5

REMOVE METAL SUPPORT BRACKETS.

