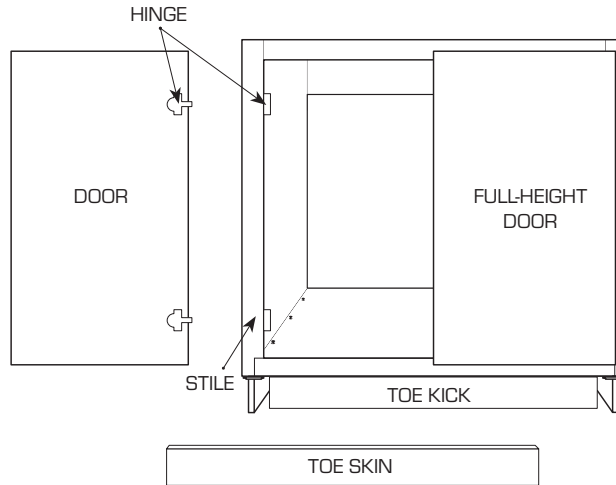


## FACE FRAME STANDARD OVERLAY CABINETS REMOVABLE DECK AND TOE CABINETS DECK REMOVAL STEPS

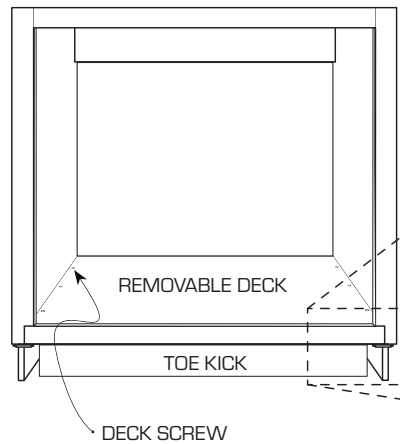
**1**

REMOVE DOORS,  
HINGES, AND TOE KICK  
(IF IN PLACE).



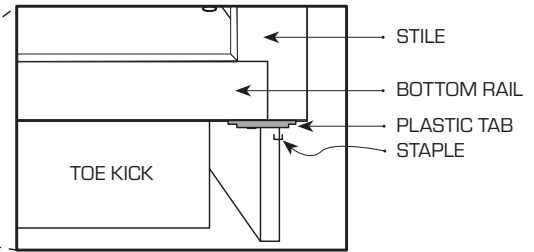
**2**

REMOVE ALL (6)  
DECK SCREWS  
THAT SECURE THE  
REMOVABLE DECK  
AND TOE KICK.



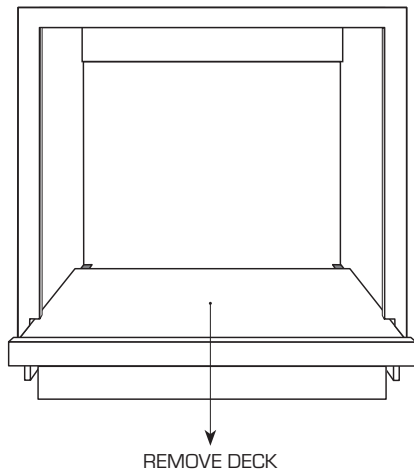
**3**

REMOVE PLASTIC TABS FROM  
BOTTOM RAIL AND STILE.



**4**

SLIDE OUT  
DECK AND  
TOE KICK  
FROM CASE.



**5**

REMOVE METAL  
SUPPORT  
BRACKETS.

