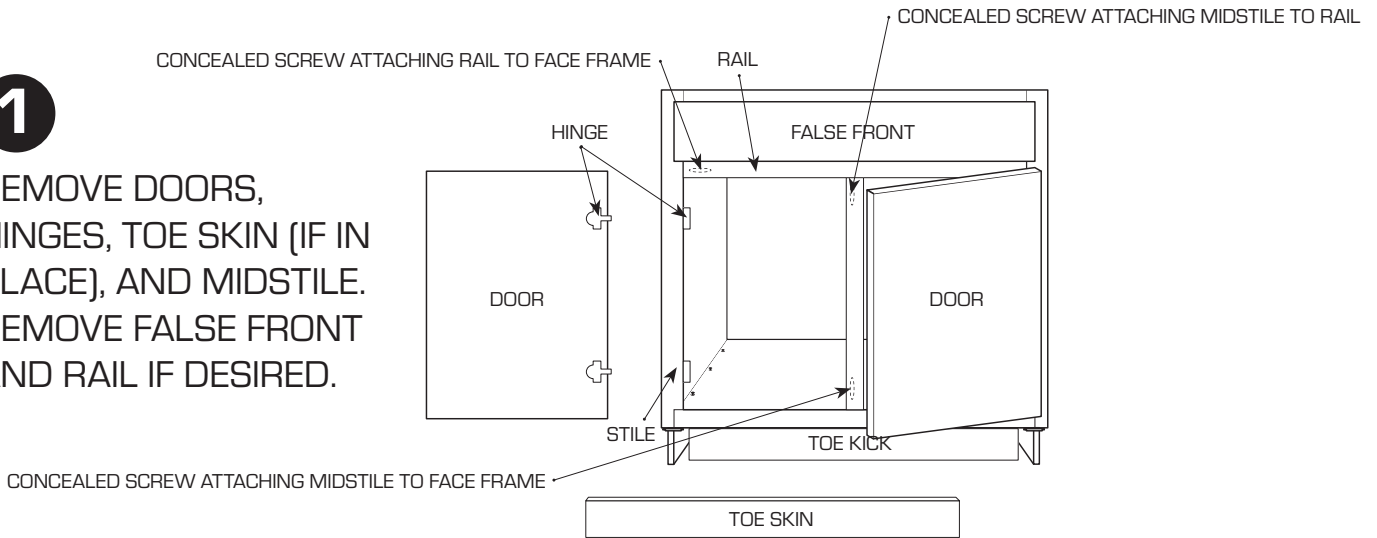


FACE FRAME STANDARD OVERLAY CABINETRY REMOVABLE DECK AND TOE CABINETS DECK REMOVAL STEPS

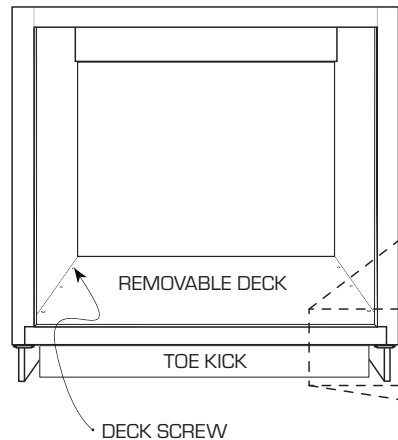
1

REMOVE DOORS, HINGES, TOE SKIN (IF IN PLACE), AND MIDSTILE. REMOVE FALSE FRONT AND RAIL IF DESIRED.



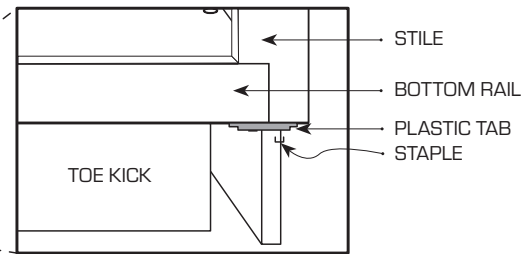
2

REMOVE ALL (6) DECK SCREWS THAT SECURE THE REMOVABLE DECK AND TOE KICK.



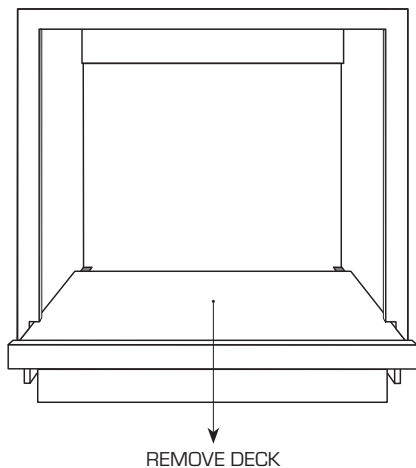
3

REMOVE PLASTIC TABS FROM BOTTOM RAIL AND STILE.



4

SLIDE OUT DECK AND TOE KICK FROM CASE.



5

REMOVE METAL SUPPORT BRACKETS.

