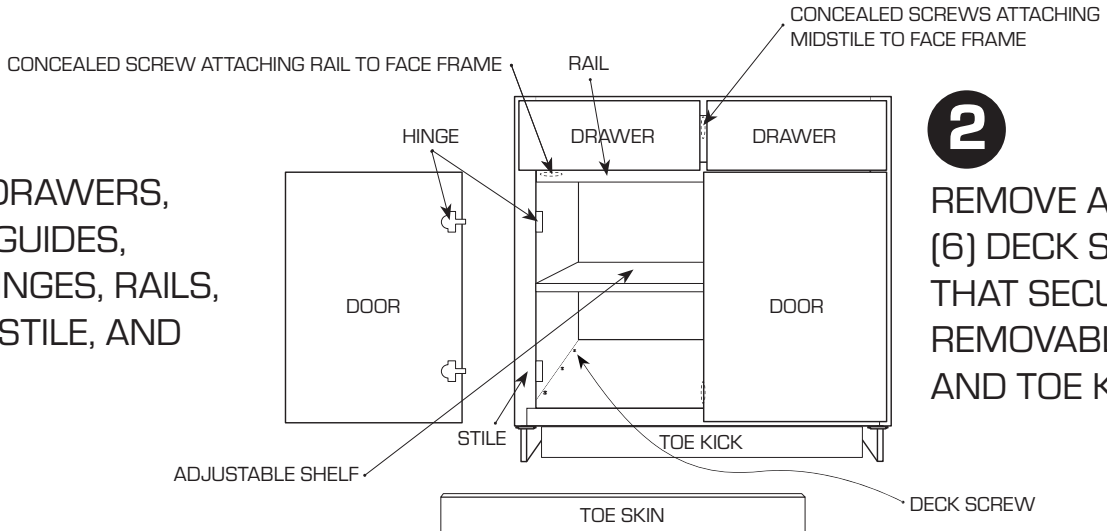


FACE FRAME FULL-OVERLAY CABINETRY
**REMOVABLE DECK AND TOE CABINETS
 WITH DRAWERS**
DECK REMOVAL STEPS

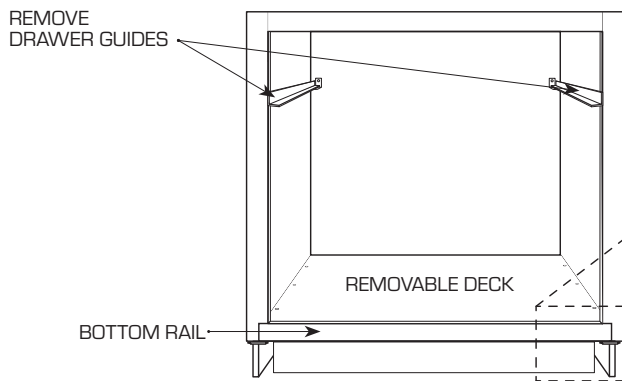
1

REMOVE DRAWERS,
 DRAWER GUIDES,
 DOORS, HINGES, RAILS,
 THEN MIDSTILE, AND
 TOE KICK



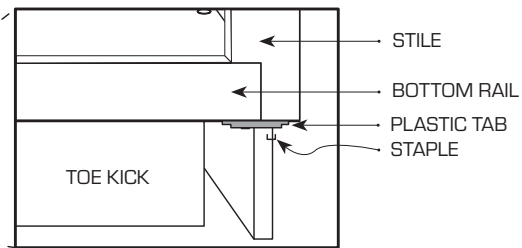
2

REMOVE ALL
 (6) DECK SCREWS
 THAT SECURE THE
 REMOVABLE DECK
 AND TOE KICK.



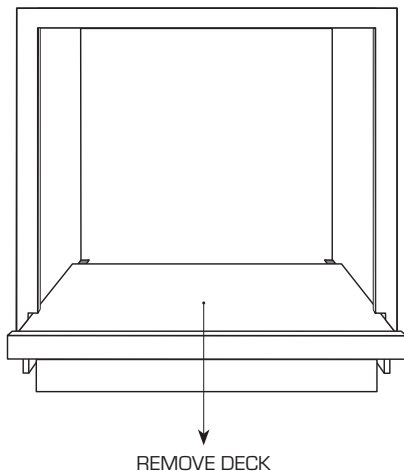
3

REMOVE PLASTIC TABS FROM
 BOTTOM RAIL AND STILE.



4

SLIDE OUT
 DECK AND
 TOE FROM
 CASE.



5

REMOVE METAL
 SUPPORT
 BRACKETS.

