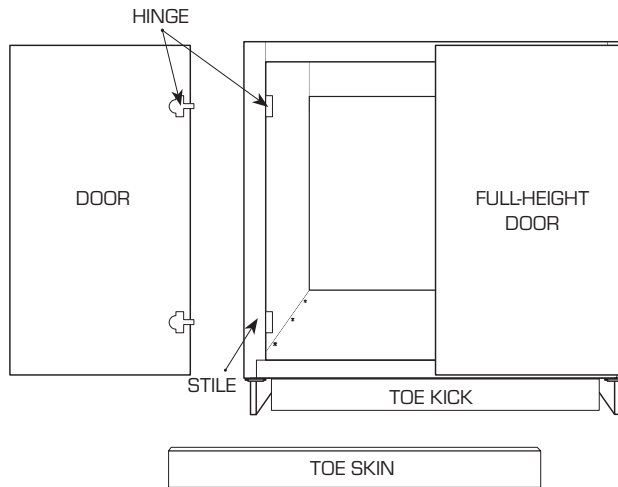


FACE FRAME FULL-OVERLAY CABINETRY REMOVABLE DECK AND TOE CABINETS DECK REMOVAL STEPS

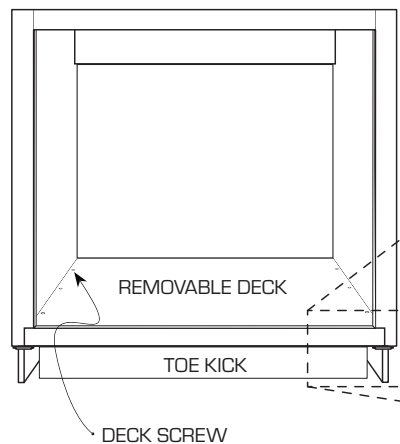
1

REMOVE DOORS,
HINGES, AND TOE KICK
(IF IN PLACE).



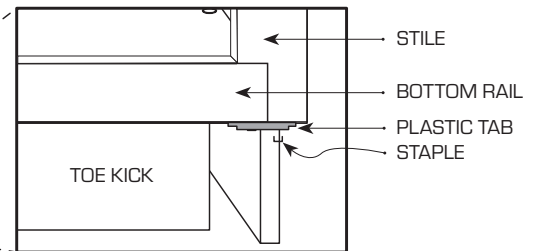
2

REMOVE ALL (6)
DECK SCREWS
THAT SECURE THE
REMOVABLE DECK
AND TOE KICK.



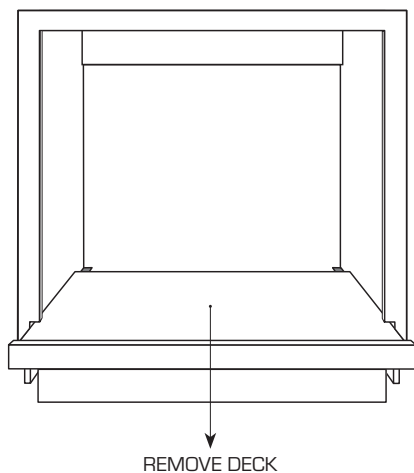
3

REMOVE PLASTIC TABS FROM
BOTTOM RAIL AND STILE.



4

SLIDE OUT
DECK AND
TOE KICK
FROM CASE.



5

REMOVE METAL
SUPPORT
BRACKETS.

