



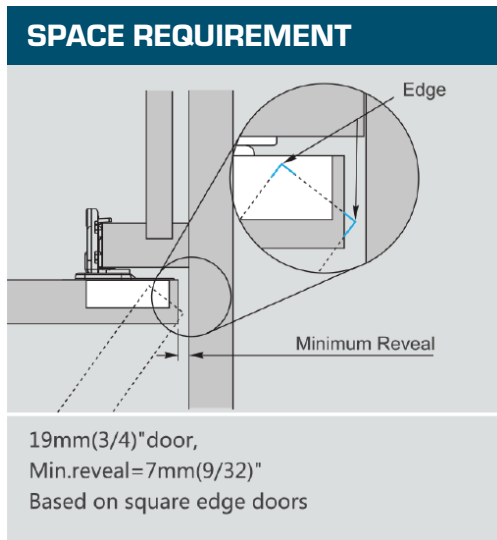
FACE FRAME EUROPEAN STANDARD DOOR HINGES

SPECIFICATIONS

Opening Angle: 108°
 Closing Type: Standard Self Closing
 Depth of Hinge Cup: 11 mm
 Diameter of Hinge Cup: 35mm
 Drilling Distance for Door (K): 3-6mm
 Range of door thickness: 16-26mm

FEATURES

- 3 Cam, 6-way adjustable
- Press-in hinges (inserted by automatic machinery)



FULL (1.5")
OVERLAY



STANDARD
OVERLAY



CUP PLATE
FOR MOUNTING
TO DOOR

STANDARD OVERLAY		FULL OVERLAY	
<p>Installation Dimensions</p> <p>Gap 5mm(3/16), factory setting Overlay 6.4-9.5mm(1/4-3/8), 25.4mm(1"), adjusts+2.5mm(3/32) Overlay 11-22mm(7/16-7/8), adjusts+1.8mm(11/16), -0.7mm(1/32)</p>	<p>Adjustments</p> <p>Height adjustment Depth adjustment Side adjustment</p>	<p>Installation Dimensions</p> <p>Gap 5mm(3/16), factory setting +2.5mm(3/32), -0</p>	<p>Adjustments</p> <p>Height adjustment Depth adjustment Side adjustment</p>