



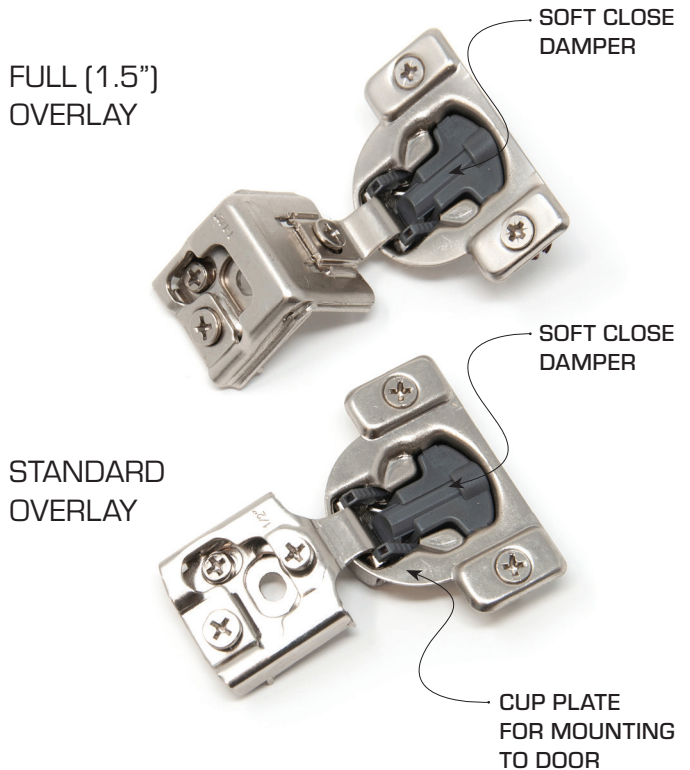
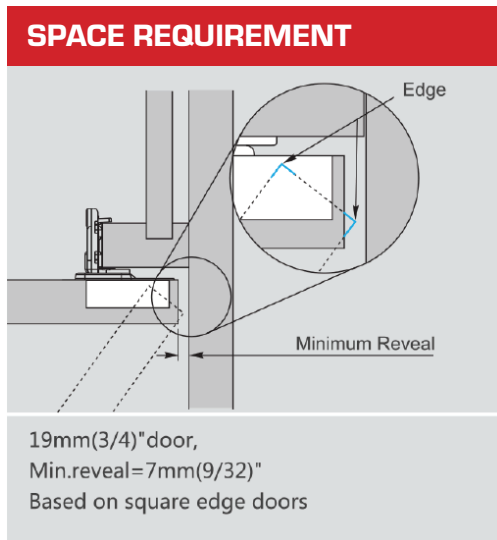
FACE FRAME EUROPEAN SOFT CLOSE DOOR HINGES

SPECIFICATIONS

Opening Angle: 108°
 Closing Type: Soft Closing
 Depth of Hinge Cup: 11 mm
 Diameter of Hinge Cup: 35 mm
 Drilling Distance for Door (K): 3-6 mm
 Range of door thickness: 16-26 mm

FEATURES

- 3 Cam, 6-way adjustable
- Soft closing damper integrated into the hinge cup
- Press-in hinges (inserted by automatic machinery)



STANDARD OVERLAY

Installation Dimensions

Gap 5mm ($\frac{3}{16}$), factory setting
 Overlay 6.4-9.5mm ($\frac{1}{4}$ - $\frac{3}{8}$), 25.4mm (1"), adjusts +2.5mm ($\frac{3}{32}$)
 Overlay 11-22mm ($\frac{7}{16}$ - $\frac{7}{8}$), adjusts +1.8mm ($\frac{1}{16}$) - 0.7mm ($\frac{1}{32}$)

Adjustments

Height adjustment
 Depth adjustment
 Side adjustment

FULL OVERLAY

Installation Dimensions

Gap 5mm ($\frac{3}{16}$), factory setting +2.5mm ($\frac{3}{32}$), -0
 Overlay 11-22mm ($\frac{7}{16}$ - $\frac{7}{8}$), adjusts +1.8mm ($\frac{1}{16}$) - 0.7mm ($\frac{1}{32}$)

Adjustments

Height adjustment
 Depth adjustment
 Side adjustment