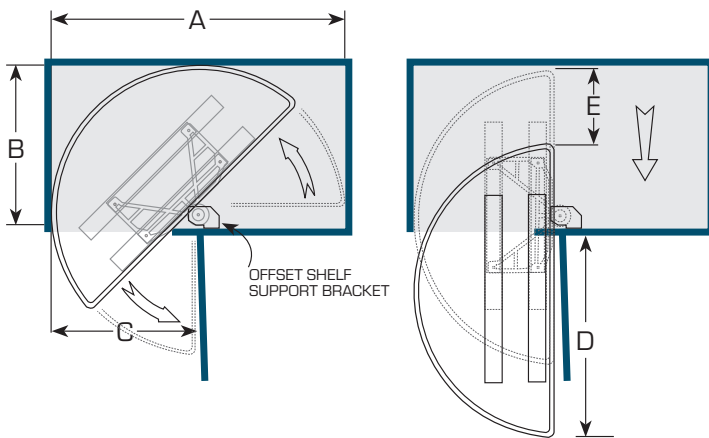


HALF MOON 2-TIER (Pivot and Slide) LAZY SUSAN

- (2) 31" or 33" diameter white polymer trays
- Pivot and slide ($\frac{3}{4}$ extension)
- Shelf Weight Rating: 25 lb
- Ball-bearing slides
- 90 degree euro hinge brackets
- Easy to clean
- Manufactured in the USA
- Limited Lifetime Warranty



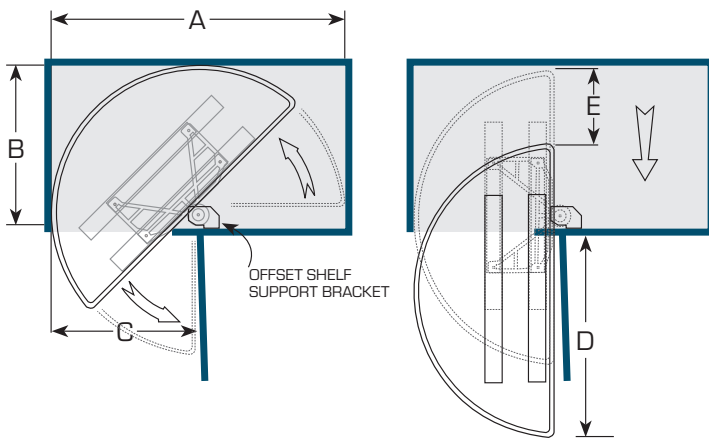
31" W x 15.5" D x 13.25" H



SHELF	A	B	C	D	E
31" HALF MOON	32 $\frac{13}{16}$	21 $\frac{1}{2}$	15	21 $\frac{1}{16}$	10 $\frac{1}{4}$
33" HALF MOON	33 $\frac{3}{16}$	18 $\frac{9}{16}$	17 $\frac{7}{16}$	24 $\frac{1}{16}$	10 $\frac{1}{4}$

HALF MOON 1-TIER (Pivot and Slide) LAZY SUSAN

- 31" or 33" diameter white polymer tray
- Pivot and slide ($\frac{3}{4}$ extension)
- Shelf Weight Rating: 12 lb
- Ball-bearing slides
- 90 degree euro hinge brackets
- Easy to clean
- Manufactured in the USA
- Limited Lifetime Warranty



SHELF	A	B	C	D	E
31" HALF MOON	32 $\frac{13}{16}$	21 $\frac{1}{2}$	15	21 $\frac{1}{16}$	10 $\frac{1}{4}$
33" HALF MOON	33 $\frac{3}{16}$	18 $\frac{9}{16}$	17 $\frac{7}{16}$	24 $\frac{1}{16}$	10 $\frac{1}{4}$