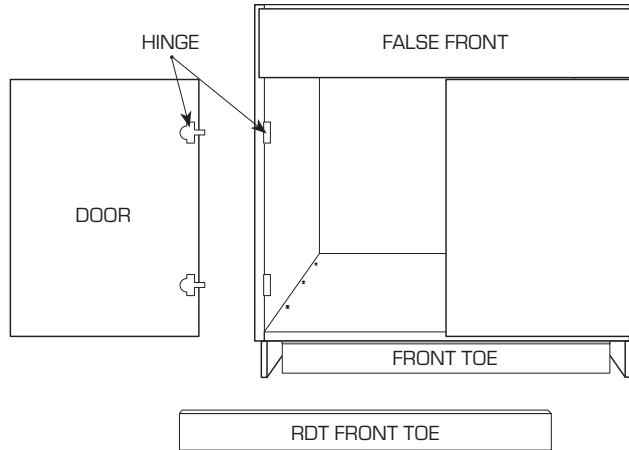


## FRAMELESS CABINETRY REMOVABLE DECK AND TOE CABINETS DECK REMOVAL STEPS

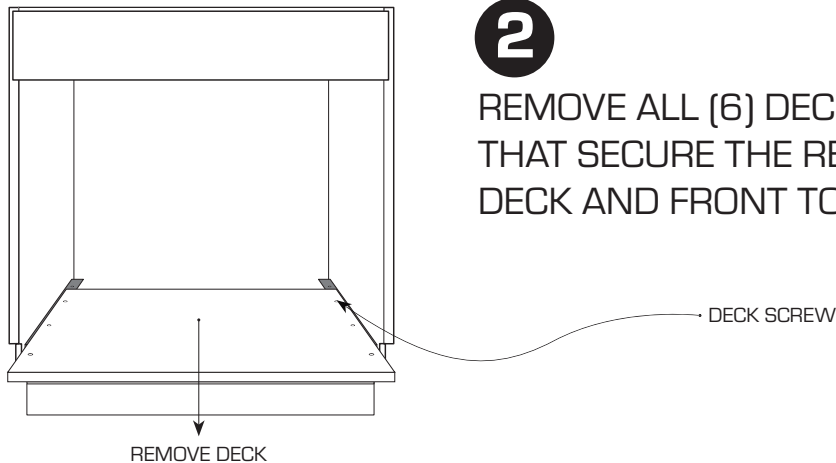
**1**

REMOVE DOORS,  
HINGES, AND RDT FRONT  
TOE (IF IN PLACE).



**2**

REMOVE ALL (6) DECK SCREWS  
THAT SECURE THE REMOVABLE  
DECK AND FRONT TOE.

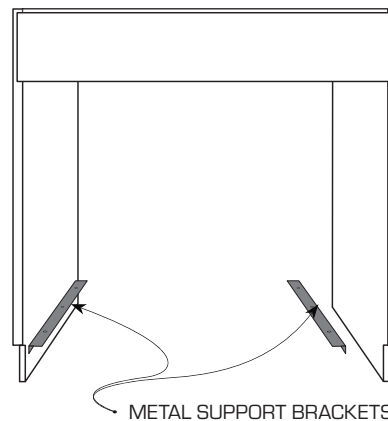


**3**

SLIDE OUT  
DECK AND  
FRONT  
TOE FROM  
CASE.

**4**

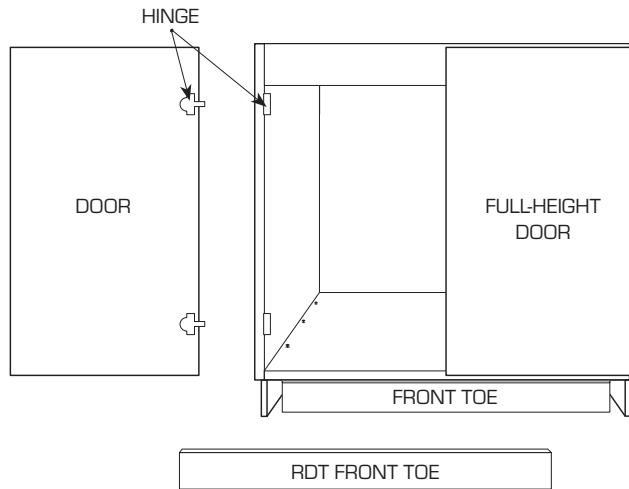
REMOVE METAL  
SUPPORT  
BRACKETS.



## FRAMELESS CABINETRY REMOVABLE DECK AND TOE CABINETS DECK REMOVAL STEPS

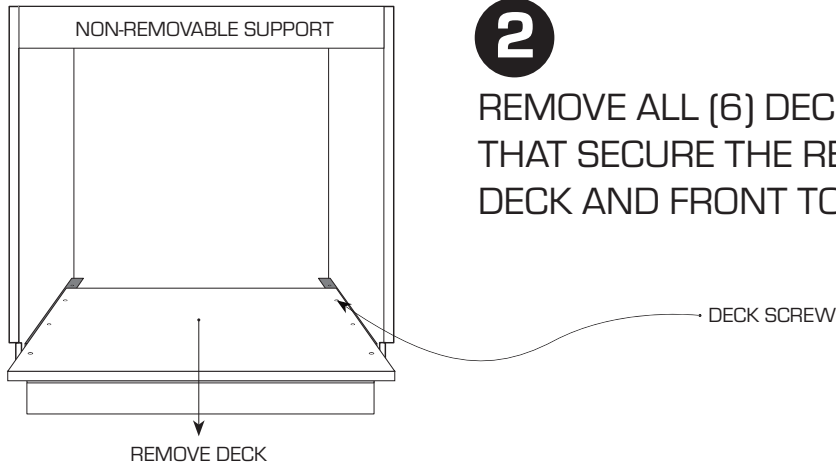
**1**

REMOVE DOORS,  
HINGES, AND RDT FRONT  
TOE (IF IN PLACE).



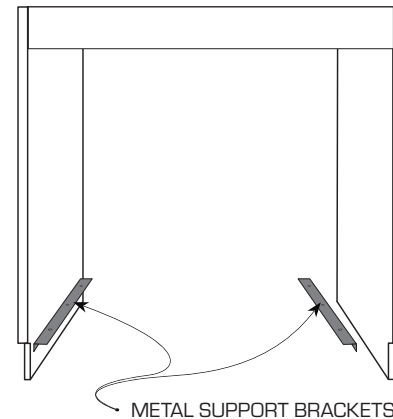
**2**

REMOVE ALL (6) DECK SCREWS  
THAT SECURE THE REMOVABLE  
DECK AND FRONT TOE.



**3**

SLIDE OUT  
DECK AND  
FRONT  
TOE FROM  
CASE.



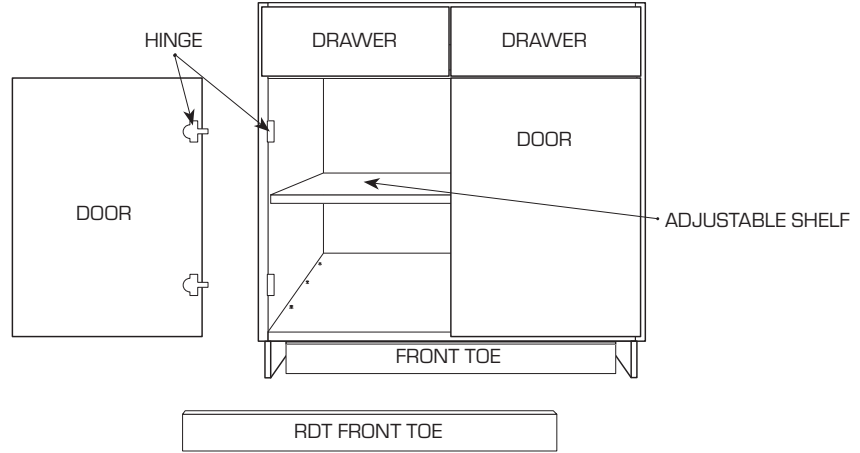
**4**

REMOVE METAL  
SUPPORT  
BRACKETS.

FRAMELESS CABINETRY  
**REMOVABLE DECK AND TOE CABINETS  
 WITH DRAWERS**  
**DECK REMOVAL STEPS**

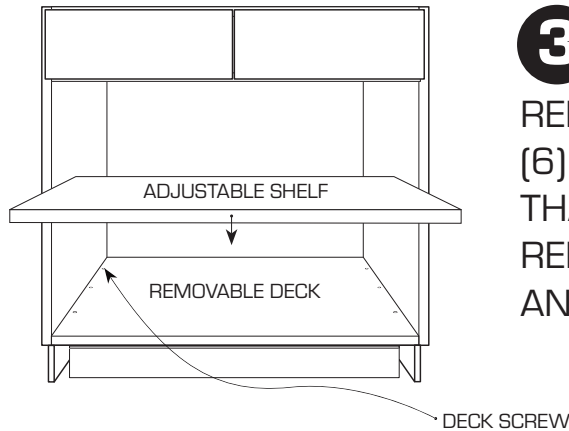
**1**

REMOVE DOORS,  
 HINGES, AND RDT FRONT  
 TOE (IF IN PLACE).



**2**

REMOVE  
 ADJUSTABLE  
 SHELF.

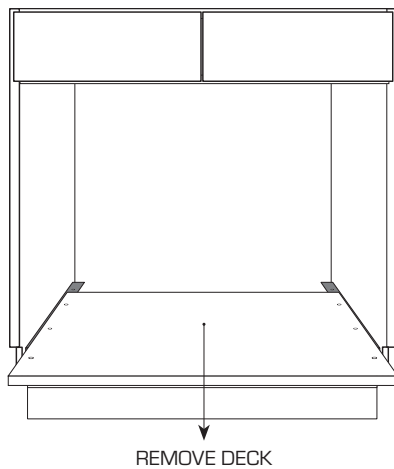


**3**

REMOVE ALL  
 (6) DECK SCREWS  
 THAT SECURE THE  
 REMOVABLE DECK  
 AND FRONT TOE.

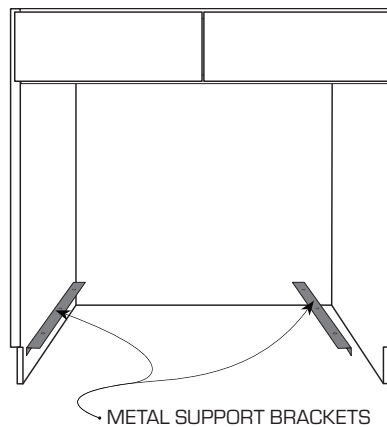
**4**

SLIDE OUT  
 DECK AND  
 FRONT TOE  
 FROM CASE.



**5**

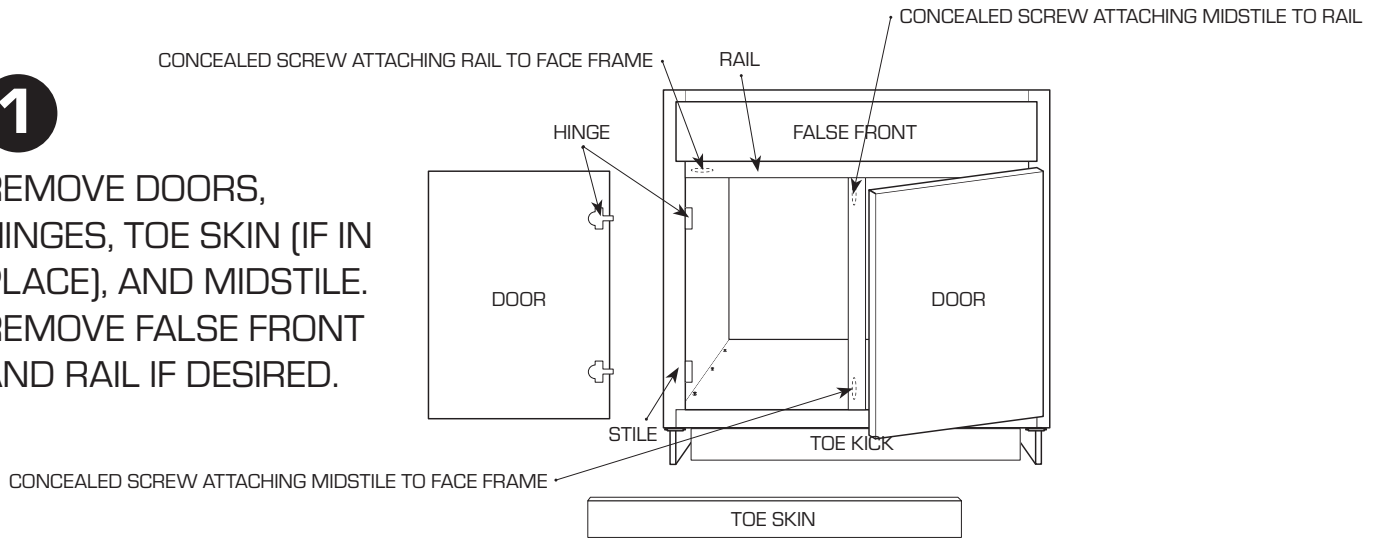
REMOVE METAL  
 SUPPORT  
 BRACKETS.



## FACE FRAME STANDARD OVERLAY CABINETS REMOVABLE DECK AND TOE CABINETS DECK REMOVAL STEPS

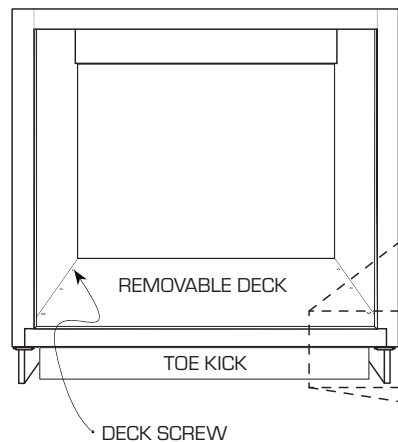
**1**

REMOVE DOORS, HINGES, TOE SKIN (IF IN PLACE), AND MIDSTILE. REMOVE FALSE FRONT AND RAIL IF DESIRED.



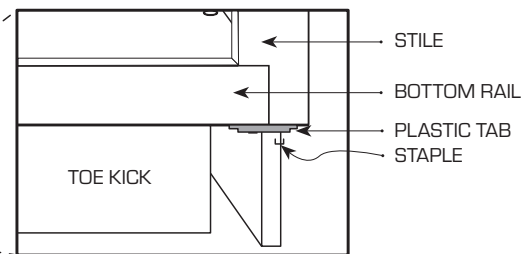
**2**

REMOVE ALL (6) DECK SCREWS THAT SECURE THE REMOVABLE DECK AND TOE KICK.



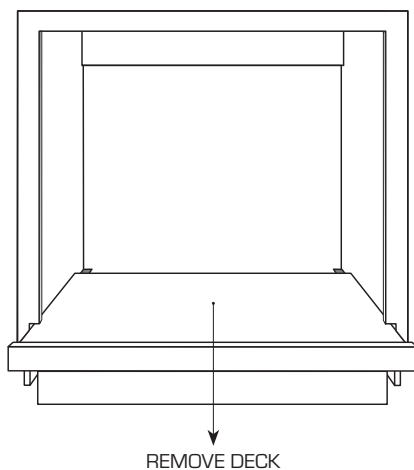
**3**

REMOVE PLASTIC TABS FROM BOTTOM RAIL AND STILE.



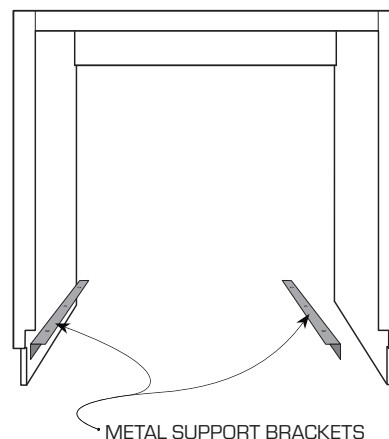
**4**

SLIDE OUT DECK AND TOE KICK FROM CASE.



**5**

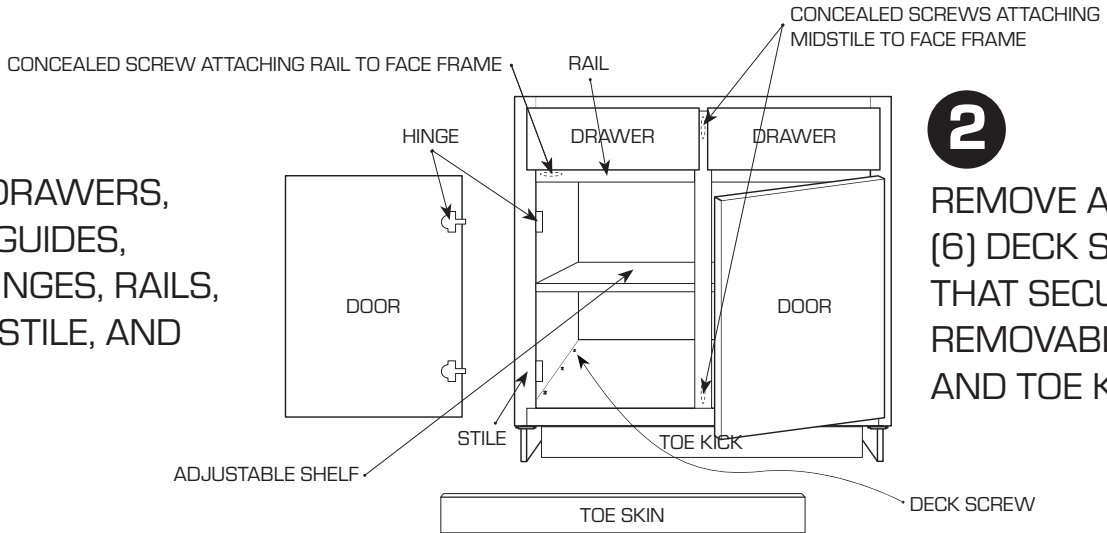
REMOVE METAL SUPPORT BRACKETS.



FACE FRAME STANDARD OVERLAY CABINETRY  
**REMOVABLE DECK AND TOE CABINETS**  
 WITH DRAWERS  
**DECK REMOVAL STEPS**

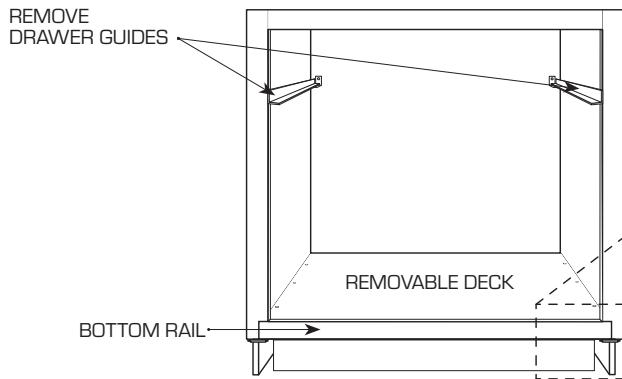
**1**

REMOVE DRAWERS, DRAWER GUIDES, DOORS, HINGES, RAILS, THEN MIDSTILE, AND TOE KICK



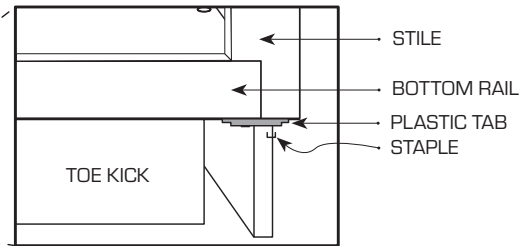
**2**

REMOVE ALL (6) DECK SCREWS THAT SECURE THE REMOVABLE DECK AND TOE KICK.



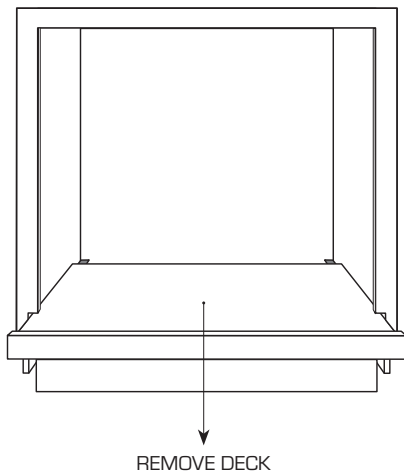
**3**

REMOVE PLASTIC TABS FROM BOTTOM RAIL AND STILE.



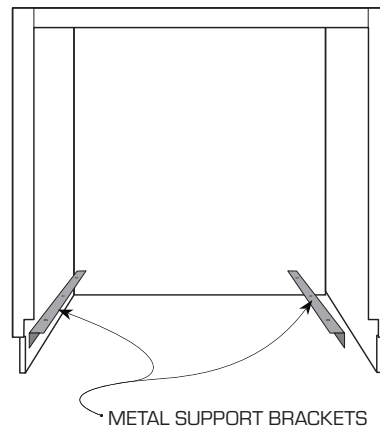
**4**

SLIDE OUT DECK AND TOE FROM CASE.



**5**

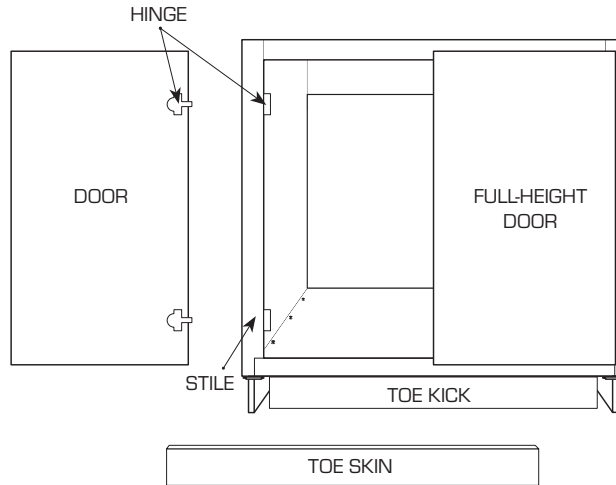
REMOVE METAL SUPPORT BRACKETS.



FACE FRAME STANDARD OVERLAY CABINETS  
**REMOVABLE DECK AND TOE CABINETS**  
**DECK REMOVAL STEPS**

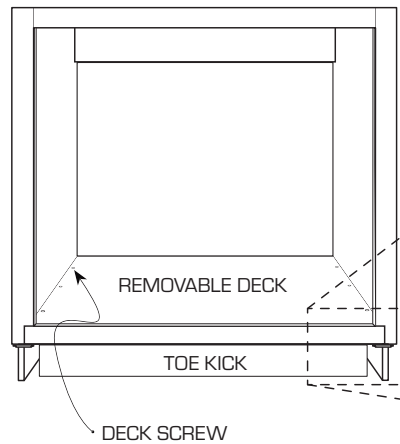
**1**

REMOVE DOORS,  
HINGES, AND TOE KICK  
(IF IN PLACE).



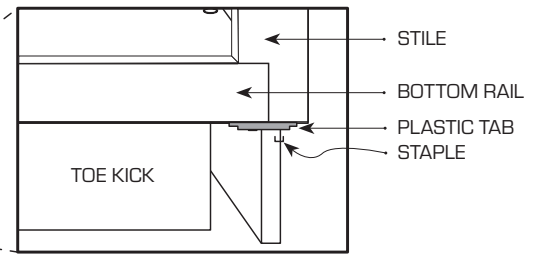
**2**

REMOVE ALL (6)  
DECK SCREWS  
THAT SECURE THE  
REMOVABLE DECK  
AND TOE KICK.



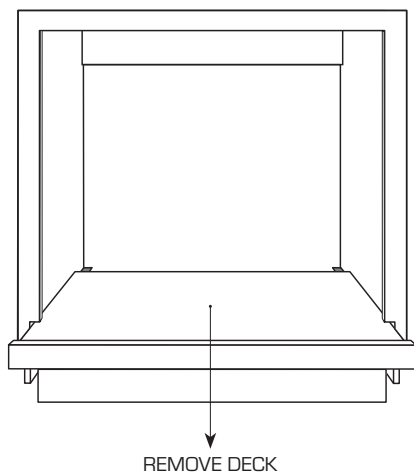
**3**

REMOVE PLASTIC TABS FROM  
BOTTOM RAIL AND STILE.



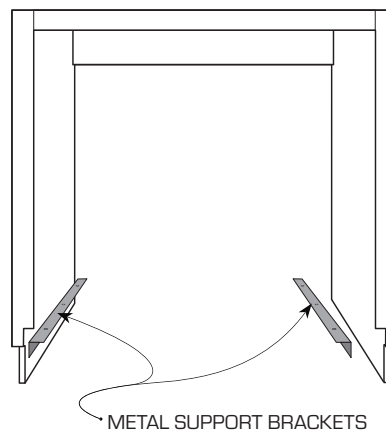
**4**

SLIDE OUT  
DECK AND  
TOE KICK  
FROM CASE.



**5**

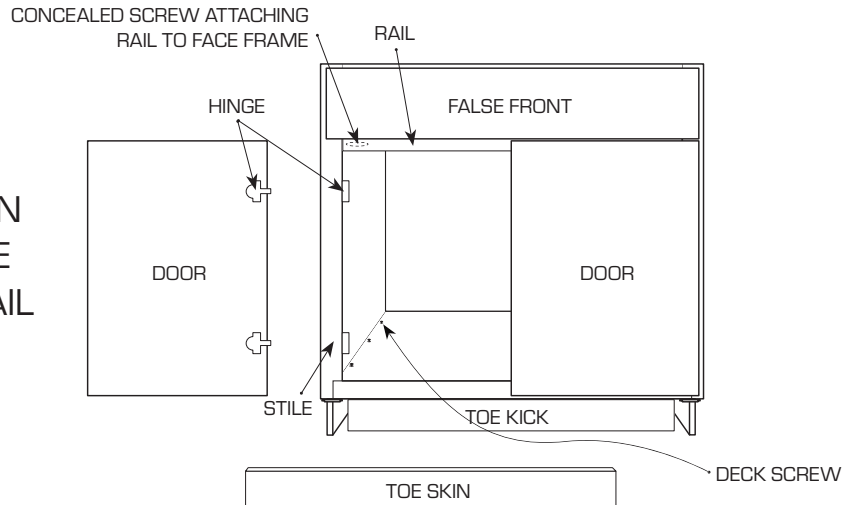
REMOVE METAL  
SUPPORT  
BRACKETS.



## FACE FRAME FULL-OVERLAY CABINETRY REMOVABLE DECK AND TOE CABINETS DECK REMOVAL STEPS

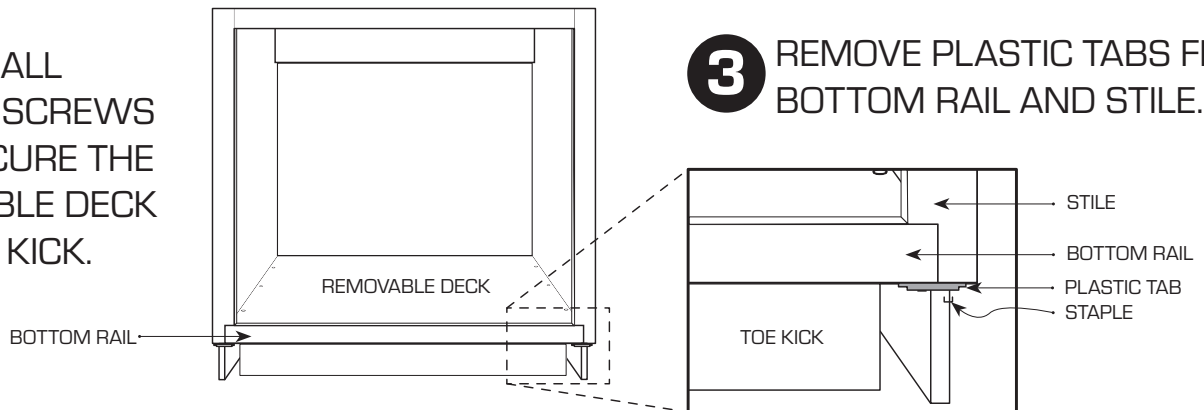
**1**

REMOVE DOORS, HINGES, AND TOE SKIN (IF IN PLACE). REMOVE FALSE FRONT AND RAIL IF DESIRED.



**2**

REMOVE ALL (6) DECK SCREWS THAT SECURE THE REMOVABLE DECK AND TOE KICK.

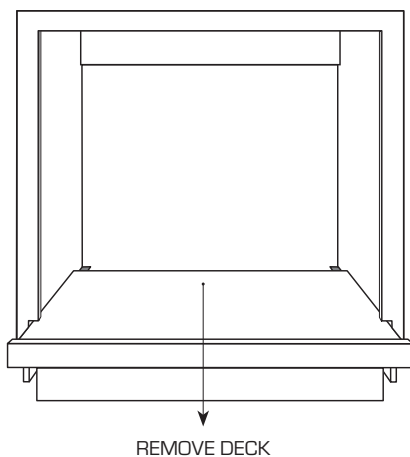


**3**

REMOVE PLASTIC TABS FROM BOTTOM RAIL AND STILE.

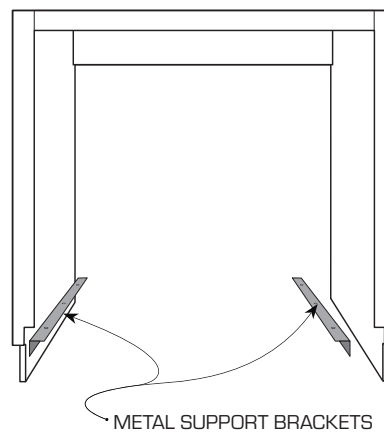
**4**

SLIDE OUT DECK AND TOE FROM CASE.



**5**

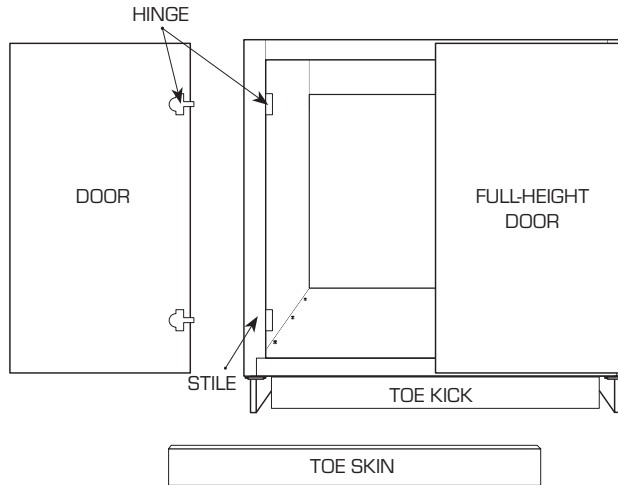
REMOVE METAL SUPPORT BRACKETS.



FACE FRAME FULL-OVERLAY CABINETRY  
**REMOVABLE DECK AND TOE CABINETS**  
**DECK REMOVAL STEPS**

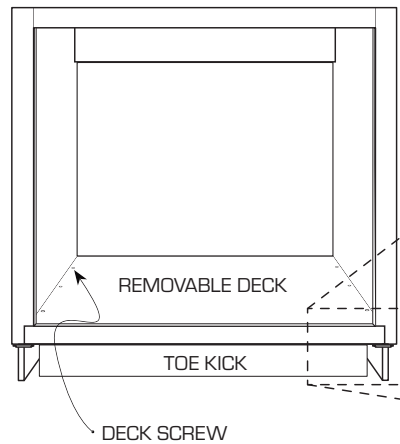
**1**

REMOVE DOORS,  
HINGES, AND TOE KICK  
(IF IN PLACE).



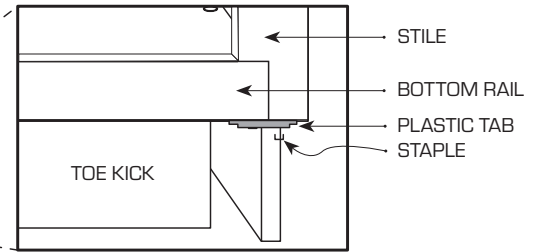
**2**

REMOVE ALL (6)  
DECK SCREWS  
THAT SECURE THE  
REMOVABLE DECK  
AND TOE KICK.



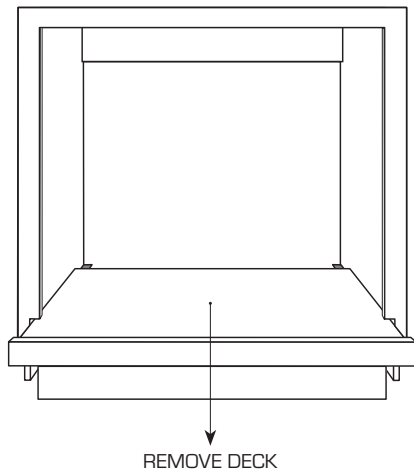
**3**

REMOVE PLASTIC TABS FROM  
BOTTOM RAIL AND STILE.



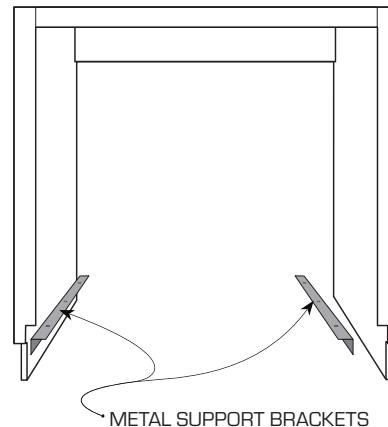
**4**

SLIDE OUT  
DECK AND  
TOE KICK  
FROM CASE.



**5**

REMOVE METAL  
SUPPORT  
BRACKETS.

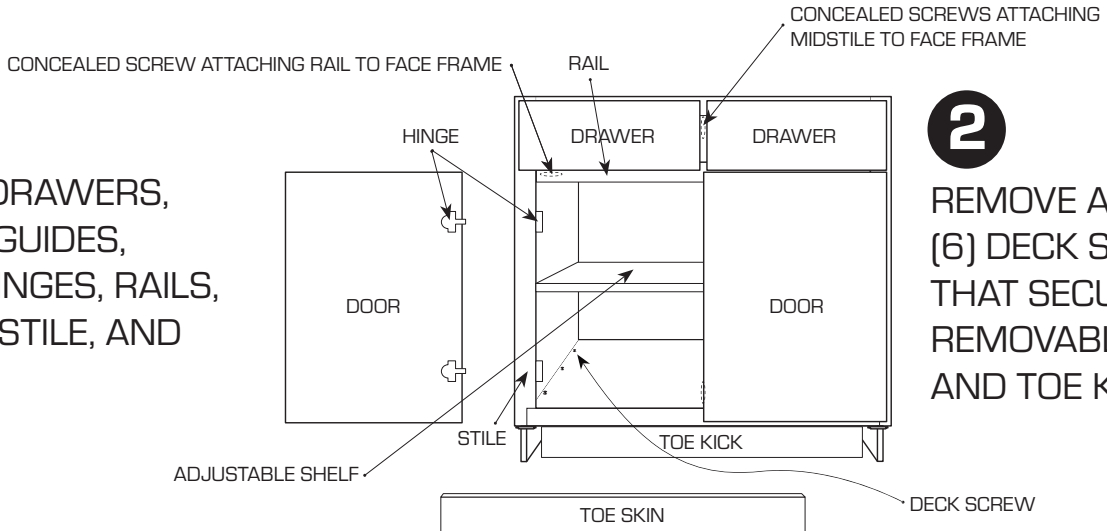




FACE FRAME FULL-OVERLAY CABINETRY  
**REMOVABLE DECK AND TOE CABINETS  
 WITH DRAWERS**  
**DECK REMOVAL STEPS**

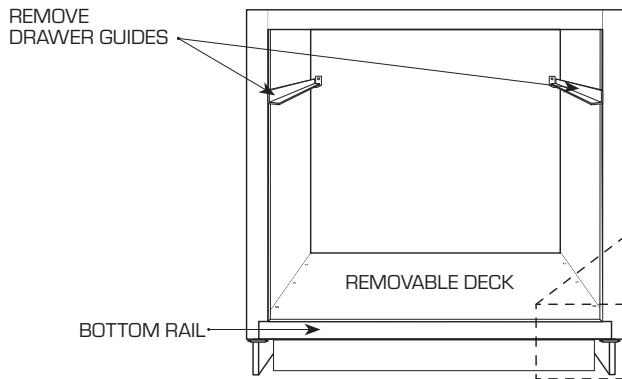
**1**

REMOVE DRAWERS,  
 DRAWER GUIDES,  
 DOORS, HINGES, RAILS,  
 THEN MIDSTILE, AND  
 TOE KICK



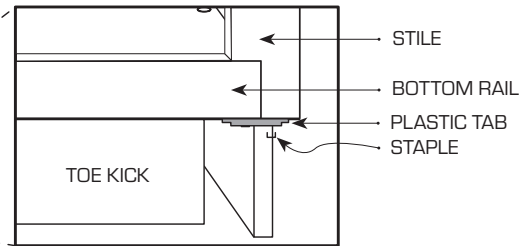
**2**

REMOVE ALL  
 (6) DECK SCREWS  
 THAT SECURE THE  
 REMOVABLE DECK  
 AND TOE KICK.



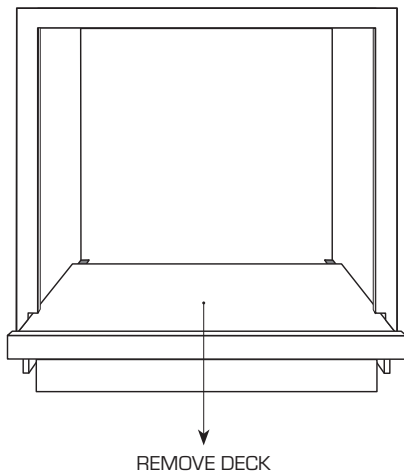
**3**

REMOVE PLASTIC TABS FROM  
 BOTTOM RAIL AND STILE.



**4**

SLIDE OUT  
 DECK AND  
 TOE FROM  
 CASE.



**5**

REMOVE METAL  
 SUPPORT  
 BRACKETS.

