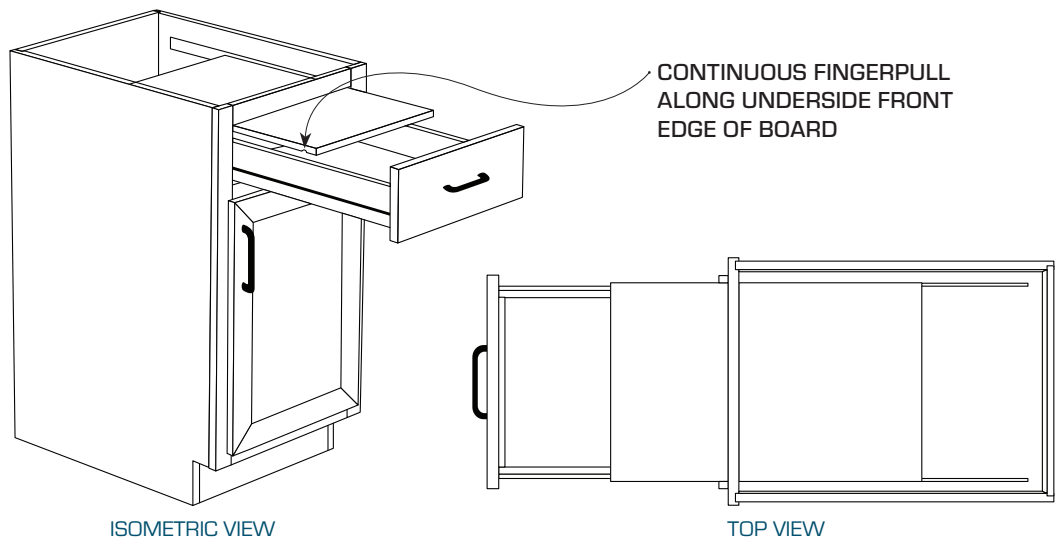




FACE FRAME CONCEALED BREADBOARD BASE CABINET

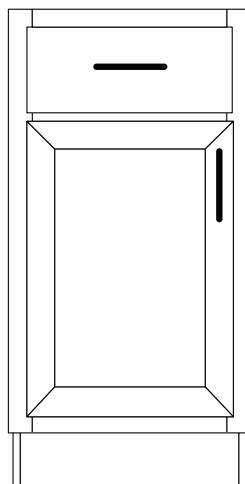
- Sanalite® HDPE (high-density polyethylene plastic) breadboard
- 9" - 24" wide x 21³/₄" deep
- Continuous fingerpull along front edge
- Glides on metal rails and retracts flush to case
- Pebbled surface resists acids
- Non absorbant, chemical, and corrosion resistant
- Lightweight, easy to remove and clean
- USDA compliant, NSF certified under Standard 02
- Meets FDA regulation 21CFR177.1520 item 2.1
- Provides additional ADA accessible work surface area



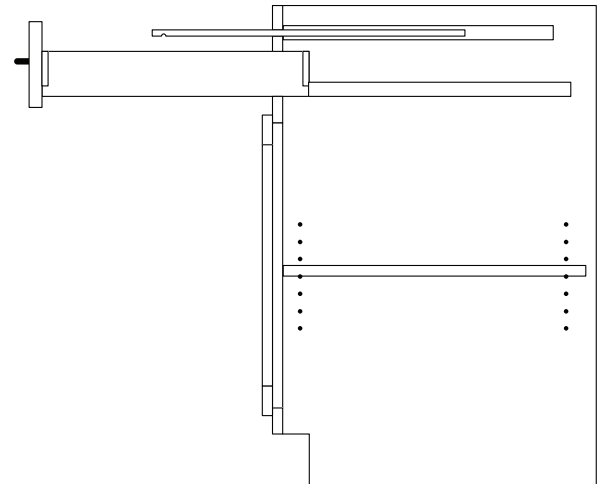
ISOMETRIC VIEW

TOP VIEW

Lanz Concealed white plastic breadboards are non-porous which makes them safe for food handling. Designed to be washed in the dishwasher for cleaning and sanitizing. We recommend that you remove the breadboard from the dishwasher before the drying cycle to prevent the board from warping. Stand the board on end to dry. Dry completely before putting back in the drawer to avoid trapping moisture in the cabinet. For deeper cleaning, deodorizing, and whitening, make a paste made from 1 teaspoon of baking soda, 1 teaspoon of salt, and 1 teaspoon of water and scrub.



ELEVATION VIEW



CROSS-SECTION VIEW