

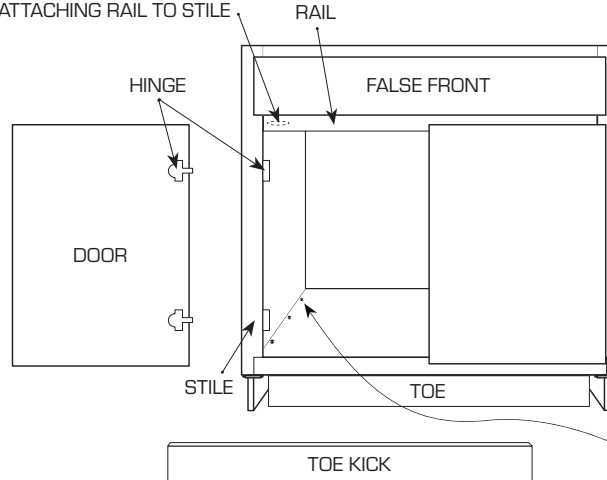


FACE FRAME CABINETRY REMOVABLE DECK AND TOE CABINETS DECK REMOVAL STEPS

1

REMOVE DOORS, HINGES, TOE KICK, AND FALSE FRONT AND RAIL (IF DESIRED).

CONCEALED SCREW ATTACHING RAIL TO STILE

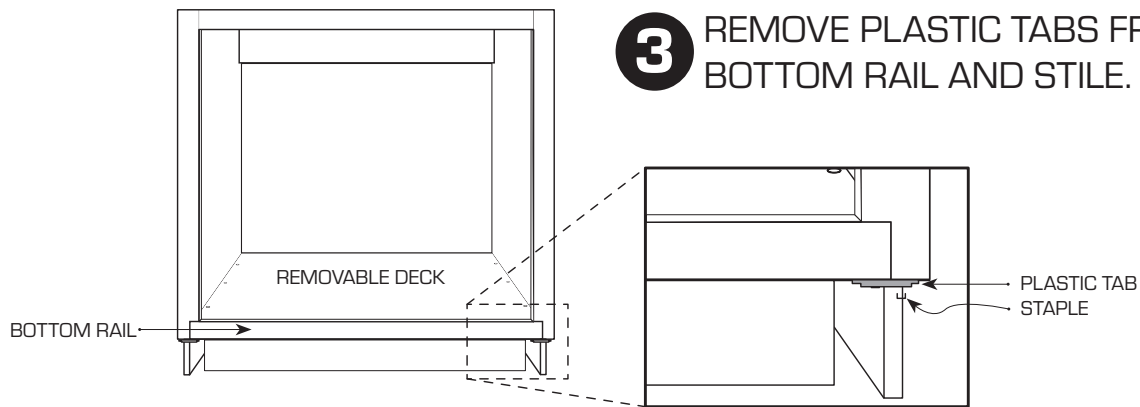


2

REMOVE ALL (6) DECK SCREWS THAT SECURE THE REMOVABLE DECK AND TOE.

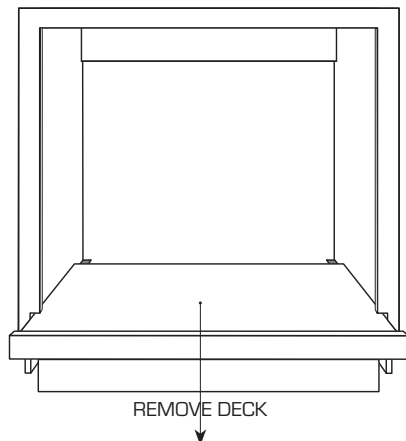
3

REMOVE PLASTIC TABS FROM BOTTOM RAIL AND STILE.



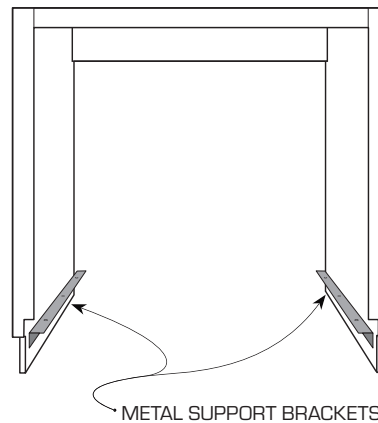
4

SLIDE OUT DECK AND TOE FROM CASE.



5

REMOVE METAL SUPPORT BRACKETS.

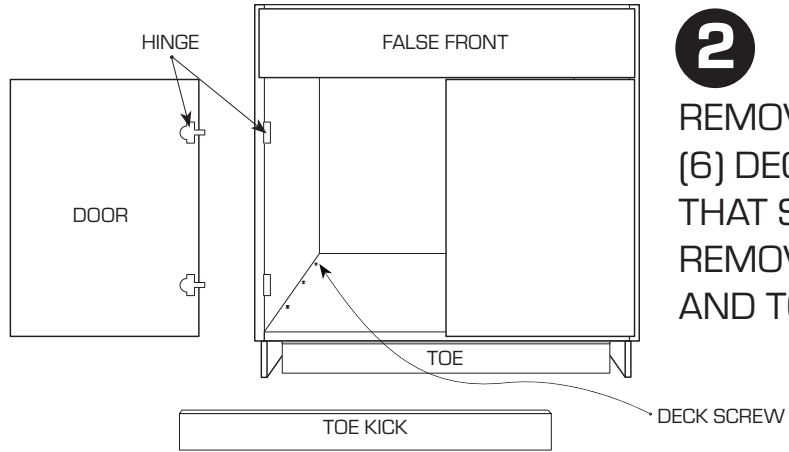




FRAMELESS CABINETRY REMOVABLE DECK AND TOE CABINETS DECK REMOVAL STEPS

1

REMOVE DOORS, HINGES,
AND TOE KICK

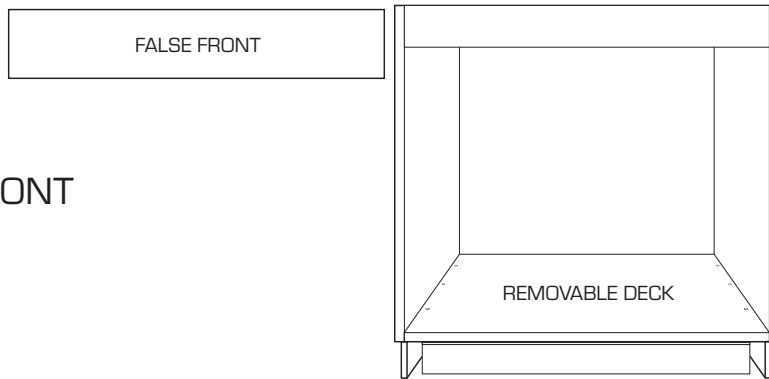


2

REMOVE ALL
(6) DECK SCREWS
THAT SECURE THE
REMOVABLE DECK
AND TOE.

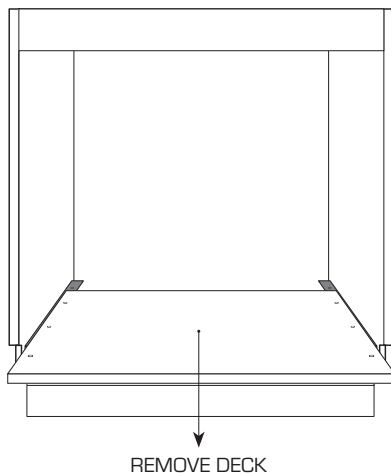
3

REMOVE FALSE FRONT
(IF DESIRED).



4

SLIDE OUT
DECK AND
TOE FROM
CASE.



5

REMOVE METAL
SUPPORT
BRACKETS.

